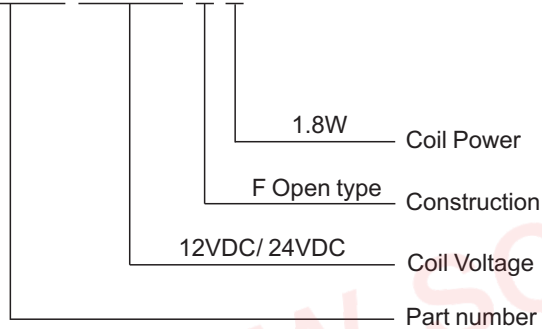


Features

- 15A switching capability
- Various mounting termination available
- Open type

Ordering Information

SE-10-12VDC-F-L



Contact Rating

Contact arrangement	Form A
Voltage drop	50 mΩ Max
Contact material	Silver alloy: AgCdO, AgSnO ₂ , AgNi
Contact rating	10A 240VDC 15A 12VDC
Max switching voltage	30VDC
Max switching current	25A
Max switching power	360W
Electrical endurance (frequency: 900 ops/h)	1x10 ⁵ ops
Mechanical endurance (frequency: 18000 ops/h)	1x10 ⁷ ops

Characteristics

Insulation system	Class B / Class F	
Insulation resistance	100MΩ (500VDC)	
Dielectric Strength	Between contacts and coil	500VAC 1minute
	Between open contacts	500VAC 1minute
Operate time(Under nominal voltage)	≤10ms	
Release time(Under nominal voltage)	≤5ms	
Humidity	85% RH (20°C)	
Ambient Temperature	-40°C~+125°C	
Shock resistance	Functional	98m/s ²
	Destructive	980m/s ²
Vibration resistance (Double amplitude)	10Hz~55Hz 1.5mm	
Weight	Approx 19g	
Construction	Open type	

Remark: 1) All above data is initial value

Coil Data

(at 20°C)

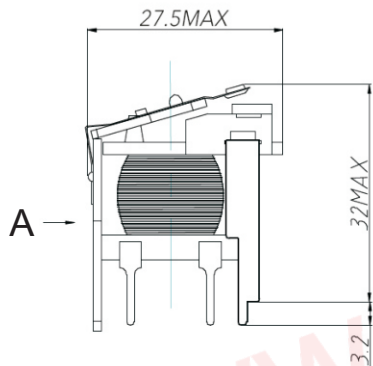
Power dissipation W	Voltage VDC	Current mA	Resistance Ω ± 10%	Pick-up voltage	Drop-out voltage	Max allowable
1.8W	12	150	80	75%Max	10%Min	130%
	24	75	320			

This product specification only for your reference. we will not notify you if we do any improvement. We reserve all the right for the final explanation

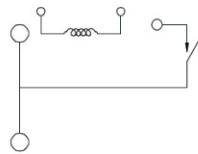
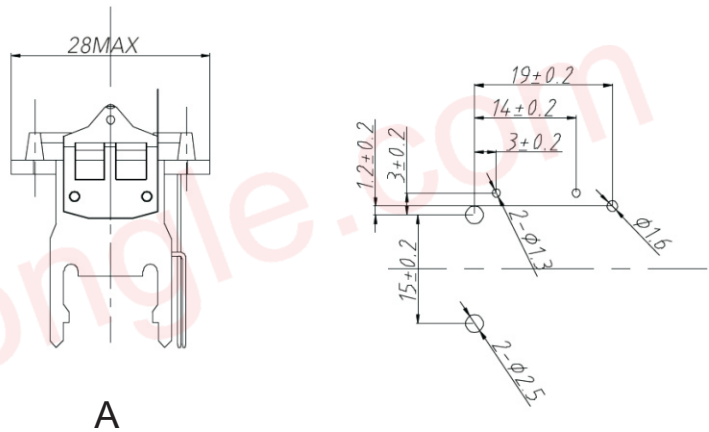
OUTLINE DIMENSIONS , WIRING DIAGRAM

Unit:mm

Physical installation dimension diagram



Bottom view diagram



Electrical diagram

Tolerance: ± 0.1

This product specification only for your reference, we will not notify you if we do any improvement. We reserve all the right for the final explanation



Web: www.songle.com www.songlerelay.com

Add.: CW7, Zone A, Far East Industrial Park, Yuyao City, Zhejiang, China Zip Code: 315400