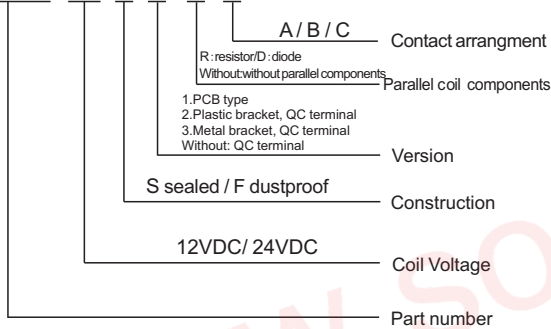


Features

- 40A switching capability
- Variety of installations
- Dustproof cover type

Ordering Information

SLDC-12-S-1-R-C



Contact Rating

| | |
|---|--|
| Contact arrangement | A/B/C |
| Voltage drop | ≤200mV |
| Contact material | Silver alloy: AgCdO、AgSnO ₂ 、AgNi |
| Contact rating | 30A/40A 14VDC |
| Max switching voltage | 50VDC |
| Max switching current | 40A (resistive 14VDC) |
| Min contact load | 1A 6VDC |
| Electrical endurance (frequency: 900 ops/h) | 1x10 ⁵ ops |
| Mechanical endurance (frequency: 18000 ops/h) | 1x10 ⁷ ops |

Characteristics

| | | |
|---|---------------------------|---------------------|
| Insulation system | Class B / Class F | |
| Insulation resistance | 100MΩ (500VDC) | |
| Dielectric Strength | Between contacts and coil | 550VAC 1minute |
| | Between open contacts | 550VAC 1minute |
| Operate time(Under nominal voltage) | ≤10ms | |
| Release time(Under nominal voltage) | ≤10ms | |
| Humidity | 85% RH (20°C) | |
| Ambient Temperature | -40°C~+125°C | |
| Shock resistance | Functional | 98m/s ² |
| | Destructive | 980m/s ² |
| Vibration resistance (Double amplitude) | 10Hz~55Hz 1.5mm | |
| Weight | Approx 36g | |
| Construction | Dustproof and Sealed type | |

Remark:1)All above data is initial value

Coil Data

(at 20°C)

| Power dissipation W | Voltage VDC | Current Ω ± 10% | Resistance Ω | Pick-up voltage | Drop-out voltage | Max allowable |
|---------------------|-------------|-----------------|--------------|-----------------|------------------|---------------|
| 1.6 | 12 | 90 | 680 | 70%Max | 10%Min | 130% |
| 1.8 | 12 | 90 | | | | |
| 1.6 | 24 | 360 | | | | |
| 1.8 | 24 | 360 | | | | |
| 1.8 | 24 | 320 | | | | |
| 2 | 24 | 320 | 2700 | | | |

This product specification only for your reference, we will not notify you if we do any improvement. We reserve all the right for the final explanation



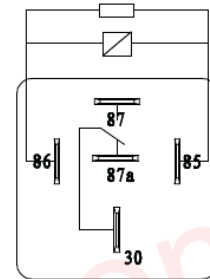
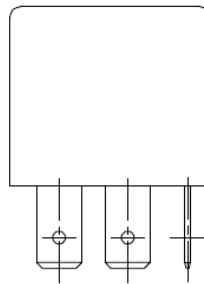
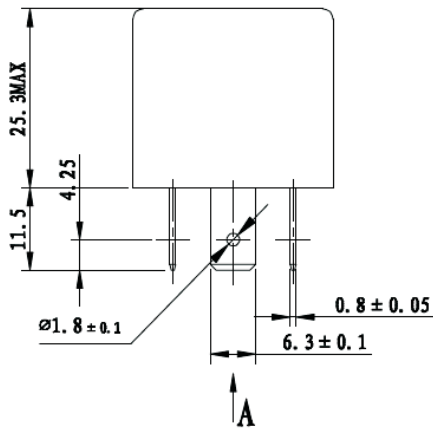
Web: www.songle.com www.songlerelay.com

Add.: CW7, Zone A, Far East Industrial Park, Yuyao City, Zhejiang, China Zip Code: 315400

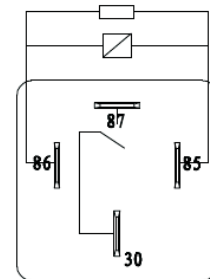
OUTLINE DIMENSIONS , WIRING DIAGRAM

Unit:mm

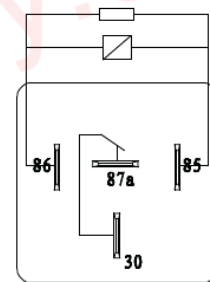
SLDC-12(24)-(S)-R-C(A/B)



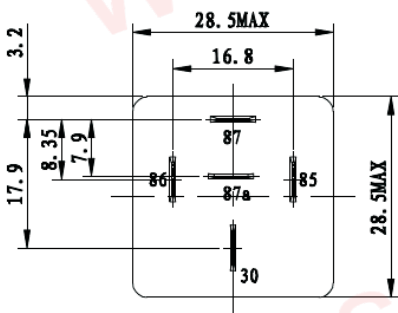
Conversion C type



Normally open A type



Normally closed B type



Tolerance: ± 0.3

Terminal deviation tolerance is 0.2mm

This product specification only for your reference. we will not notify you if we do any improvement. We reserve all the right for the final explanation



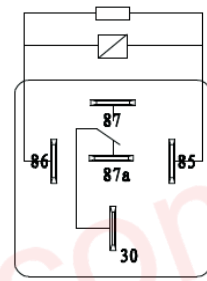
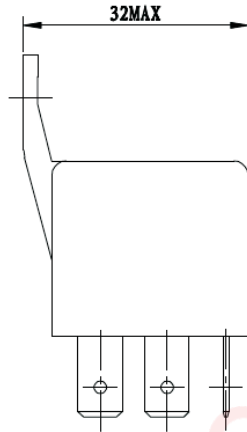
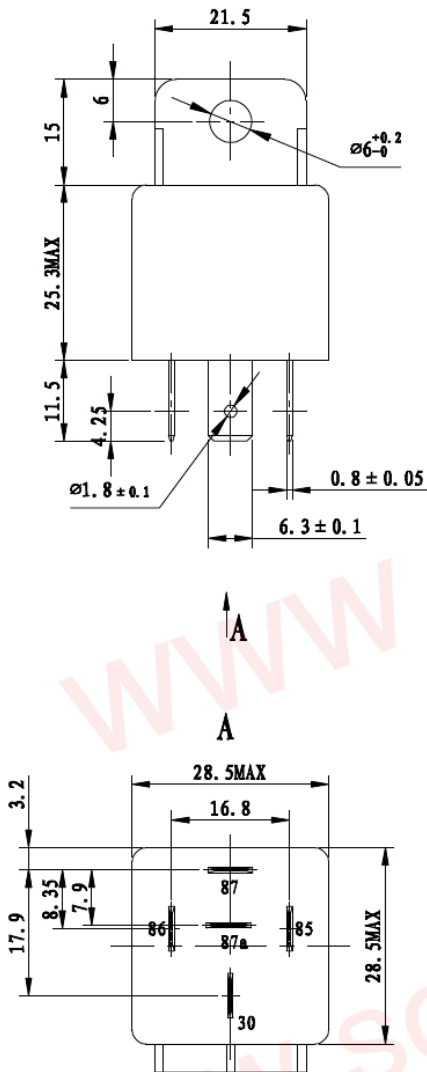
Web: www.songle.com www.songlerelay.com

Add.: CW7, Zone A, Far East Industrial Park, Yuyao City, Zhejiang, China Zip Code: 315400

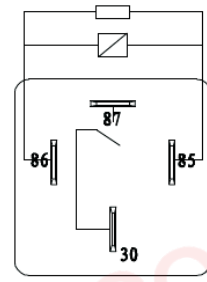
OUTLINE DIMENSIONS ,WIRING DIAGRAM

Unit:mm

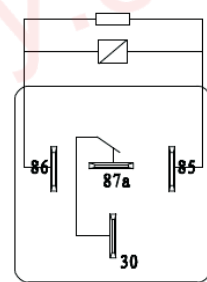
SLDC-12(24)-(S)-2-R-C(A/B)



Conversion C type



Normally open A type



Normally closed B type

Tolerance: ± 0.3

Terminal deviation tolerance is 0.2mm

This product specification only for your reference. we will not notify you if we do any improvement. We reserve all the right for the final explanation



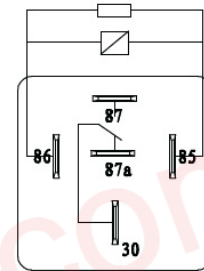
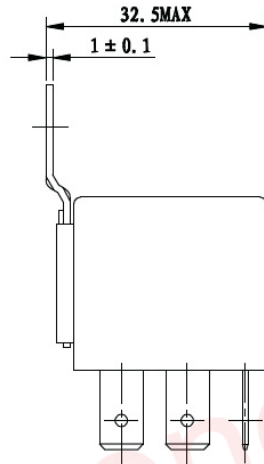
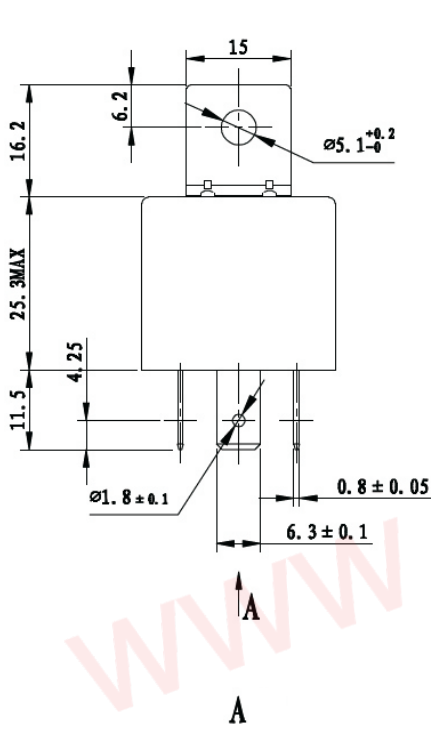
Web: www.songle.com www.songlerelay.com

Add.: CW7, Zone A, Far East Industrial Park, Yuyao City, Zhejiang, China Zip Code: 315400

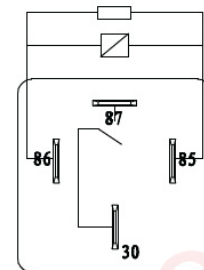
OUTLINE DIMENSIONS ,WIRING DIAGRAM

Unit:mm

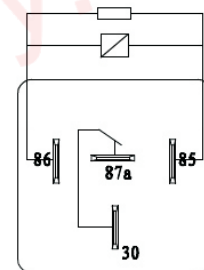
SLDC-12(24)-(S)-3-R-C(A/B)



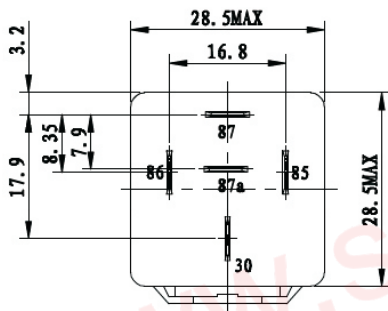
Conversion C type



Normally open A type



Normally closed B type



Tolerance: ± 0.3

Terminal deviation tolerance is 0.2mm

This product specification only for your reference. we will not notify you if we do any improvement. We reserve all the right for the final explanation



Web: www.songle.com www.songlerelay.com

Add.: CW7, Zone A, Far East Industrial Park, Yuyao City, Zhejiang, China Zip Code: 315400