

### 特性 / FEATURES

- 适合长期工作  
Long timer work
- 适应恶劣工作环境  
Dreadful conditions work
- 具有防水密封结构  
Sealed waterproof type
- 单线圈工作方式  
Single coil type



**RoHS**  
Compliant

### 订购信息 / ORDERING INFORMATION

## DK136



序 号 Item No.

线圈电压 Coil Voltage

型 号 Model

### 触点参数 / CONTACT PARAMETERS

触点形式	Contact arrangement	X
接触压降(10A下测量)	Voltage drop (at 10A)	≤100mV
触点材质	Contact material	银合金/Silver alloy: AgSnO <sub>2</sub> In <sub>2</sub> O <sub>3</sub> 、AgSnO <sub>2</sub> 、AgNi
触点负载	Contact rating	100A 28VDC
最大切换电压	Max switching voltage	42VDC
最大切换电流	Max switching current	接通/Make: 300A (灯负载浪涌电流/Lamp, Inrush current)
最小负载	Min contact load	1A 5VDC
电耐久性 (频率:每小时600次)	Electrical endurance (Frequency:600 ops/h)	5x10 <sup>4</sup> ops
机械耐久性 (频率:每小时18000次)	Mechanical endurance (Frequency:18000 ops/h)	1x10 <sup>7</sup> ops

**电源总开关**  
Main Power Switch

100A

**特性参数 / CHARACTERISTICS PARAMETERS**

绝缘等级	Insulation level		Class B / Class F
绝缘电阻	Insulation resistance		100MΩ (500VDC)
介质耐压 (漏电流 1mA)	Dielectric strength (Leakage current 1mA)	线圈与触点间耐压 Dielectric strength (Between coil and contacts)	500VAC 1分钟/minute
		断开触点间耐压 Dielectric strength (Between open contacts)	500VAC 1分钟/minute
吸合时间(额定电压下)	Operate time(at nominal voltage)		≤10ms
释放时间(额定电压下)	Release time (without diode)(at nominal voltage)		≤10ms
湿度	Humidity		5% ~ 85% RH
环境温度	Ambient temperature		-40°C ~ +125°C
抗冲击	Shock resistance	稳定性/Functional	196m/s <sup>2</sup>
		强度/Destructive	490m/s <sup>2</sup>
抗振动	Vibration resistance		10Hz~500Hz 49m/s <sup>2</sup> 双振幅/Double amplitude
重量	Weight		约/Approx 850g
封装形式	Construction		密封型/Sealed type

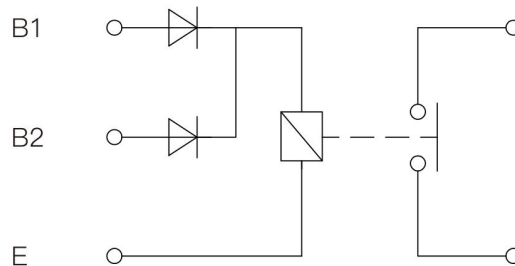
备注: 以上数据均为初始值  
Remark: All above data is initial value

**线圈参数 / COIL PARAMETERS**

常温/At 23°C

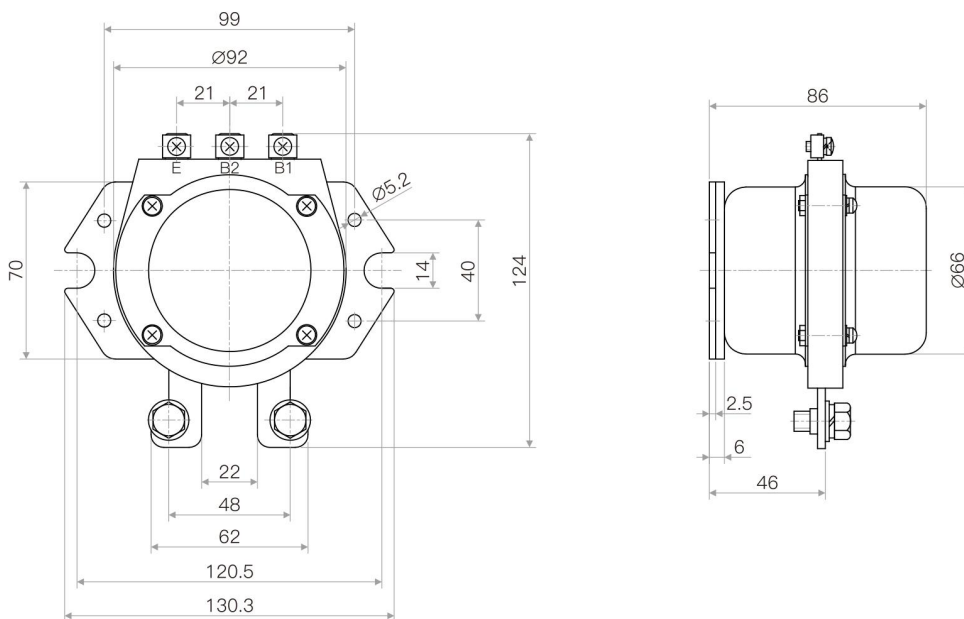
功耗(W)	Power consumption(W)	≤12	≤12
额定电压(VDC)	Nominal voltage(VDC)	12	24
工作电流(A)	Working current(A)	≤1	≤0.5
吸合电压(VDC)	Pick-up voltage(VDC)	≤8	≤15
释放电压(VDC)	Drop-out voltage(VDC)	1~3.5	1~6.5
允许最大电压(VDC)	Max allowable overdrive voltage(VDC)	27	54

**线路图(底视图) / WIRING DIAGRAM (BOTTOM VIEW)**



**外形图 / OUTLINE DIMENSIONS**

单位/Unit(mm)



未注公差/Tolerance:  $\pm 0.3$

端子垂直度/Terminal vertical deviation tolerance: 0.3mm